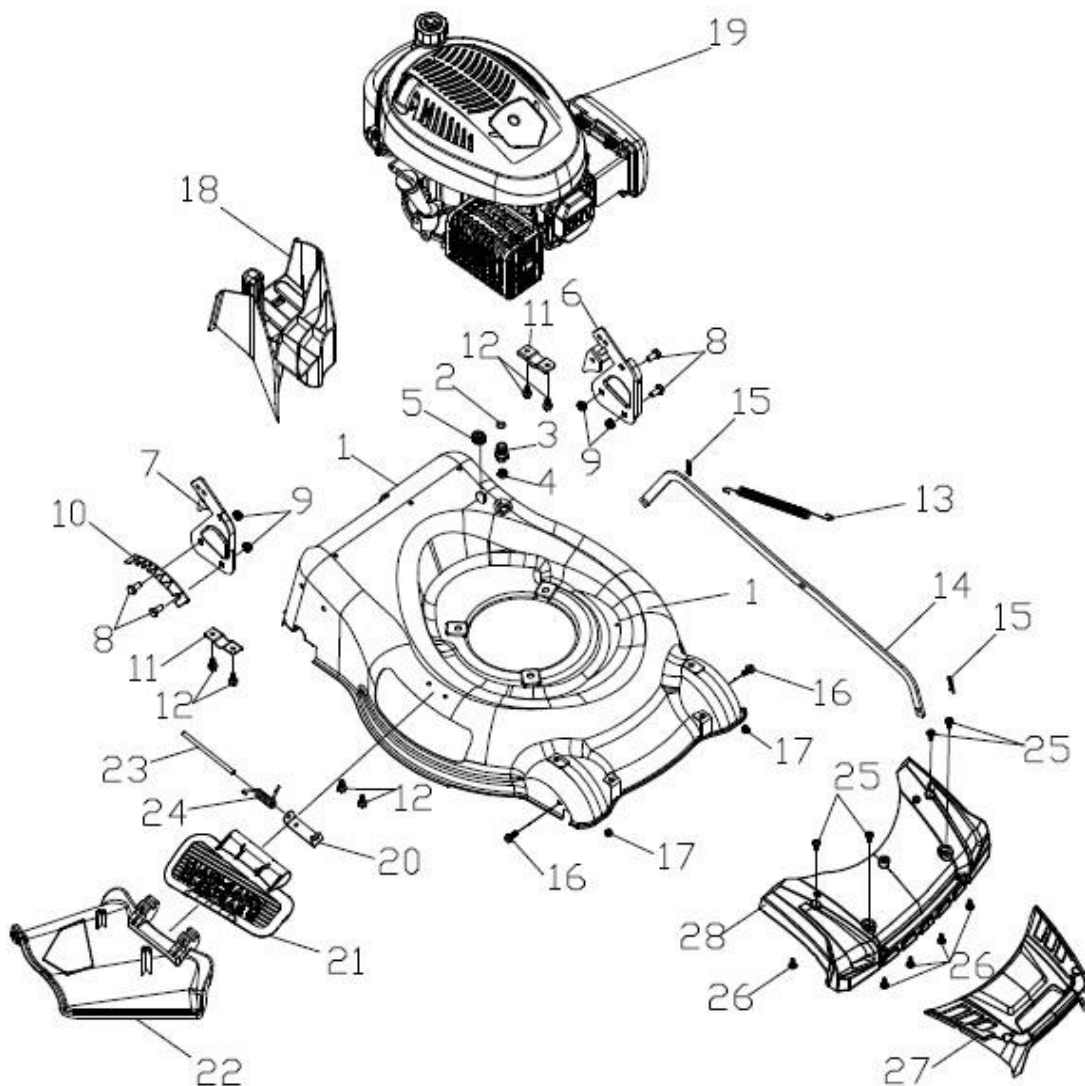
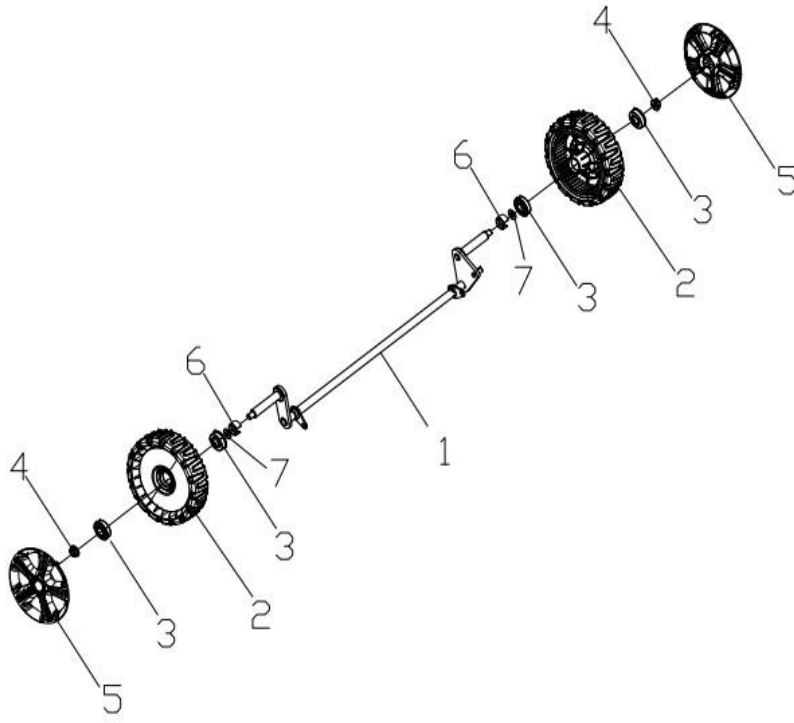


Pol.č.	Item description	množstvo
1	foam pipe	1
2	stop lever	1
3	Self-propelled Lever	1
4	upper handrail	1
5	Rope Guide	1
6	Cap nut	1
7	Brake Cable Assy plate	1
8	Bolt	2
9	Self-locking nut	2
10	Plastic stopper	1
11	brake cable	1
12	selfpropelled cable	1

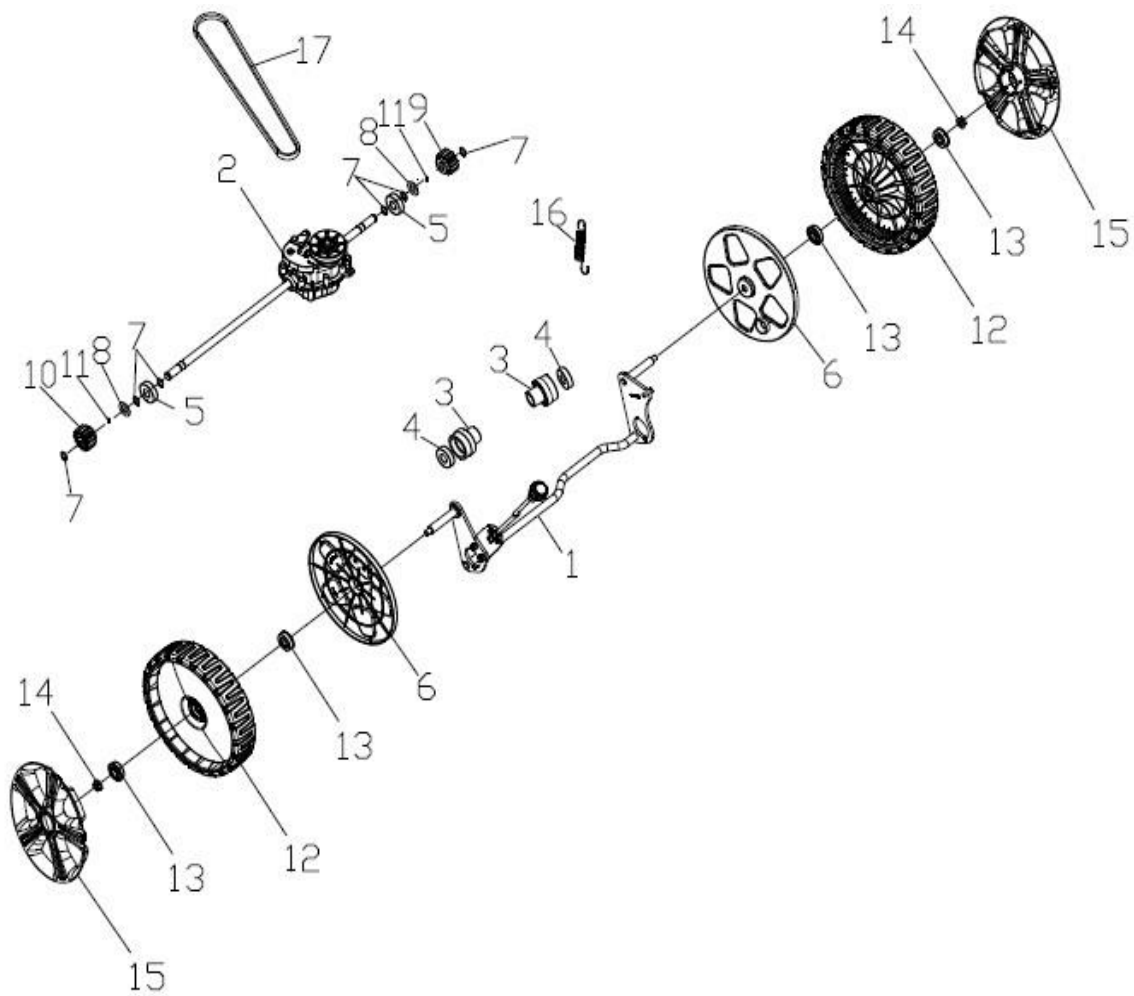
13	quick fix knob	2
14	Pin	2
15	Quick Fix Handle	2
16	lock for fast fix handle	2
17	flat washer	4
18	lock nut	2
19	Hexagon nut	4
20	lower handrail	1
21	fastener	1
22	Hexagon head bolts	2
23	Half round head square neck boltsbolts	2
24	Hex lock nut	2
25	triangle knob	2



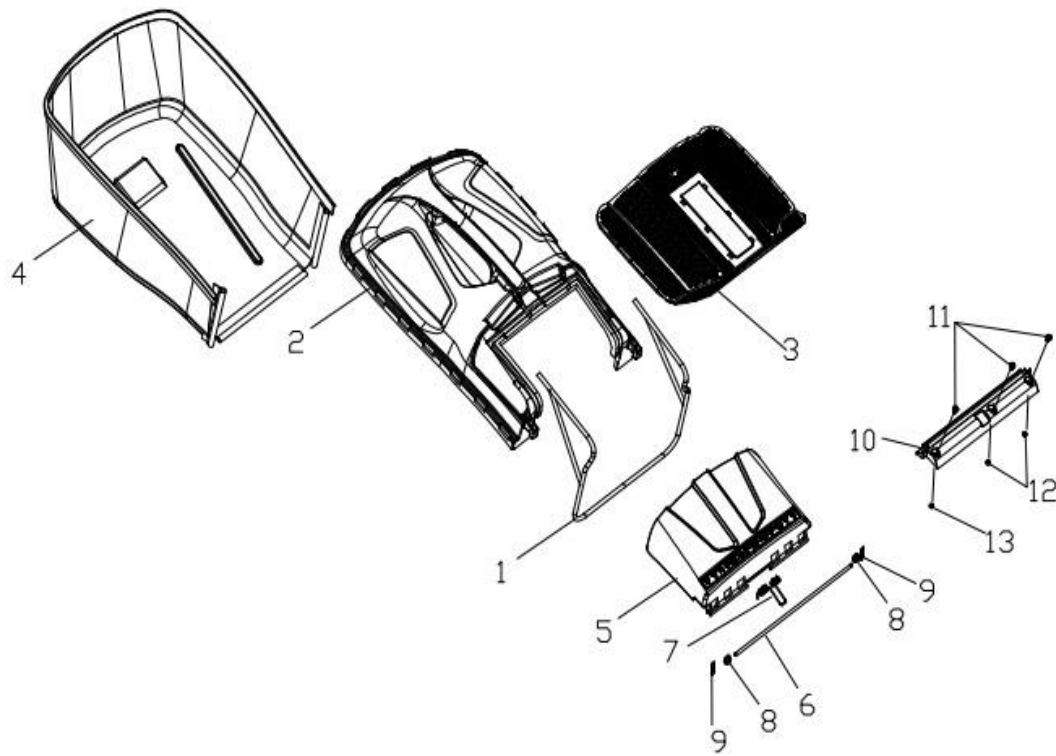
Pol.č.	Item description	množstvo			
1	deck welding assy.	1	16	Bolt	2
2	"O" ring	1	17	Self-locking nut	2
3	inlet	1	18	mulching plug	1
4	Pipe connector nut	1	19	petrol engine	1
5	cable stopper	1	20	Bracket plate for defelctor	1
6	left handle bracket	1	21	mulching board	1
7	left handle bracket	1	22	side discharge cover	1
8	Hexagon head bolts	4	23	Mulch Shaft	1
9	Hex lock nut	4	24	mulch board spring	1
10	height adjustment board	1	25	Phillips flat head self tapping screw	4
11	rear drive bracket	2	26	Phillips flat head self tapping screw	5
12	Hex tapping screws	6	27	front mask	1
13	Pull Spring for Pull Rod	1	28	front mask	1
14	Height Adjustment Pull Rod	1			
15	R type pin	2			



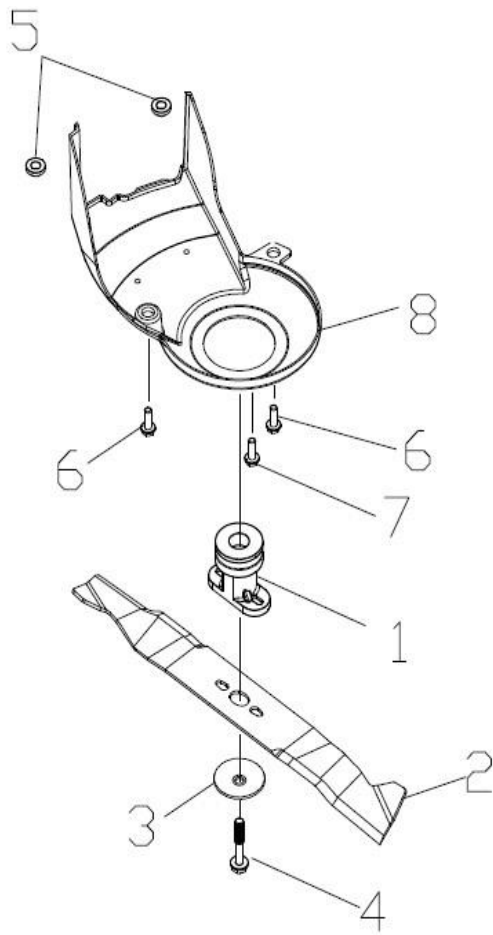
1	front drive assy.	1
2	wheel assy.	2
3	wheel punch bearing	4
4	Self-locking nut	2
5	outer cover of hub	2
6	front bracket fastener	2
7	flat washer	2



1	rear drive assy.	1
	height adjustment ball	1
2	petrol engine	1
3	bush	2
4	bearing	2
5	rear wheel axle sleeve	2
6	inner cover of hub	2
7	spring washer	6
8	selfpropelled ratchet washer	2
9	Ratchet Wheel L	1
10	Ratchet Wheel R	1
11	bratchet pin	2
12	wheel assy.	2
13	wheel punch bearing	4
14	Self-locking nut	2
15	outer cover of hub	2
16	selfpropelled spring	1
17	v belt	1









1	fabric metal frame	1
2	top of grass box	1
3	filter net of grass bag	1
4	fabric grass bag	1
5	rear discharge cover	1
6	Shaft for rear discharge cover	1
7	cover spring	1
8	lock washer	2
9	R type pin	2
10	rear discharge cover dust proof board	1
11	Bolt	3
12	Self-locking nut	2
13	Cap nut	1







1	Blade Adapter Assy	1
2	blade	1
3	blade washer	1
4	Inch hex flange bolts	1
5	Chassis bushing	2
6	Hexagon head self tapping screws	2
7	Hexagon China Division Head self tapping screws	1
8	belt cover	1

1	Blade Adapter Assy	
2	blade	
3	wheel assy.	
4	outer cover of hub	
5	wheel assy.	
6	outer cover of hub	

7	wheel punch bearing	
8	belt cover	
9	v belt	
10	quick fix knob	
11	Pin	
12	Quick Fix Handle	



13	flat washer	
14	lock nut	
15	Hexagon nut	
16	mulching board	
17	side discharge cover	